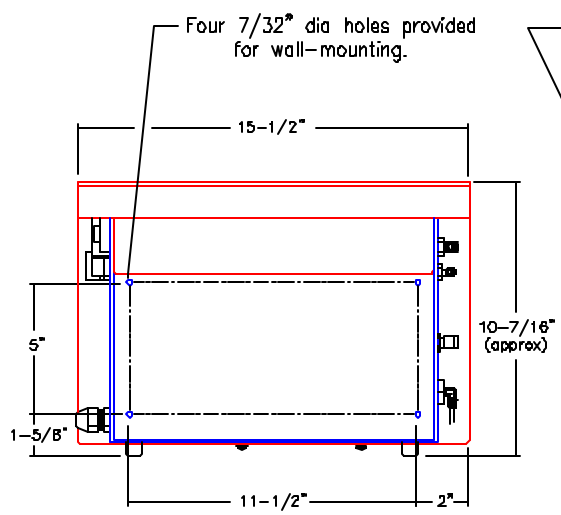
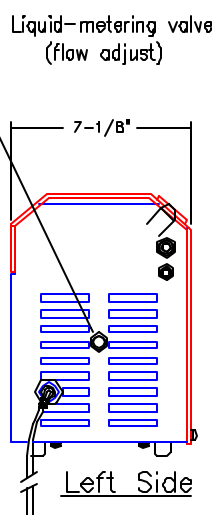


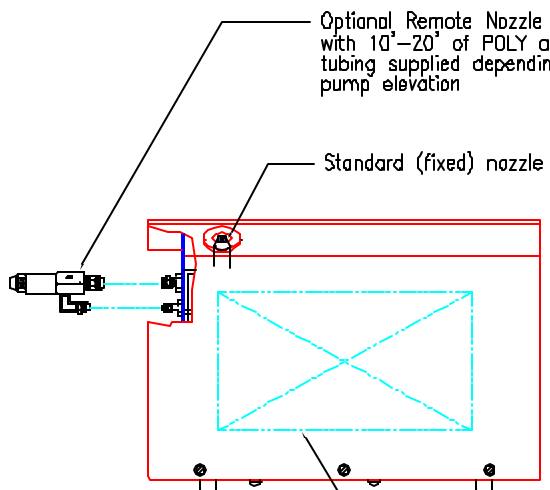
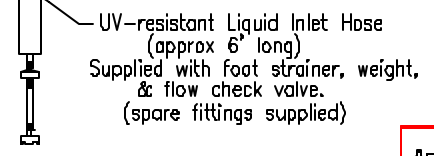
REV	DESCRIPTION	DATE	BY



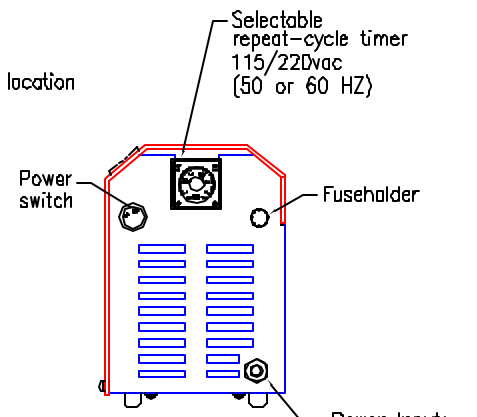
Rear View



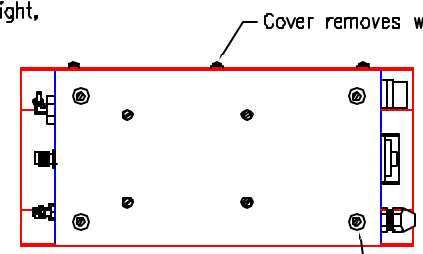
Left Side



Front View



Right Side



Bottom View

Available Options:		
Option:	Power Requirements:	Nozzle Rating:
AA	115v, 60hz	.3 GPH
AC	230v, 60hz	↓
AE	110v, 50hz	
BN	220/240v, 50hz	↓
FB	115/110v, 60/50hz	
FD	230/220v, 60/50hz	

(all units are single-phase)

UNLESS OTHERWISE SPECIFIED-  
DIMENSIONS ARE IN INCHES  
TOLERANCES  
FRACTIONS DECIMALS ANGLES  
1/16 1/32 1/64 1/8 1/4 3/8 1/2 5/8 3/4 7/8 1  
INTEGRAL FOR ANGLES 1/16 1/8  
DO NOT SCALE DRAWINGS IF NOT SPECIFIED

SCALE: 125

Copyright © 1985 Atomizing Systems Inc. All Rights Reserved. This document contains copyrighted material and confidential trade secret information belonging exclusively to Atomizing Systems Inc. Unauthorized use, disclosure, dissemination or duplication in any form or by any means without the prior written permission of Atomizing Systems Inc. is strictly prohibited.

**atomizing systems inc.**  
1 Hollywood Avenue, Ho-Ho-Kus, N.J. 07423, USA Phone 201-447-1222

TITLE: **COLD FOG DRUM-TOP FOGGER**

REV	ISSUED	DATE	BY	APP'D.
B	JZ	10-01-88		ASI-10488
	MVE	10-07-89		

SCALE: 1 1 1