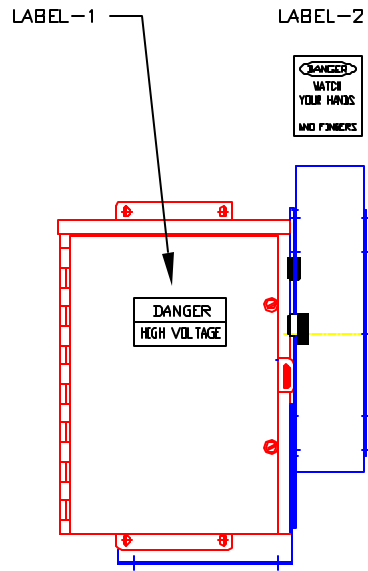
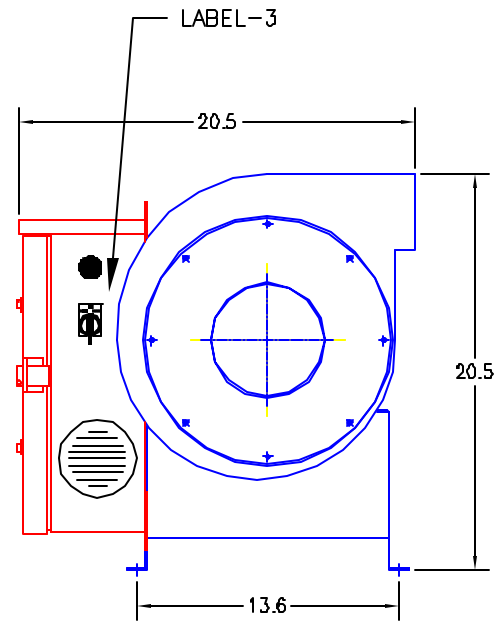


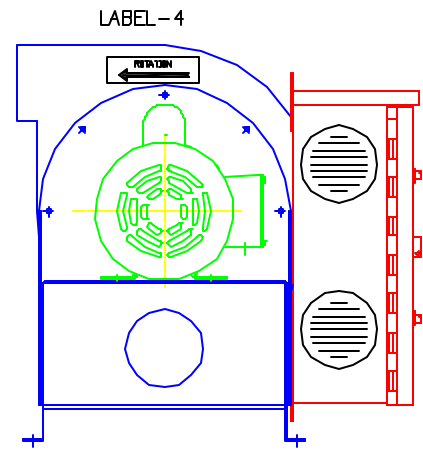
REVISIONS			
ZONE	LTR	DESCRIPTION	DATE



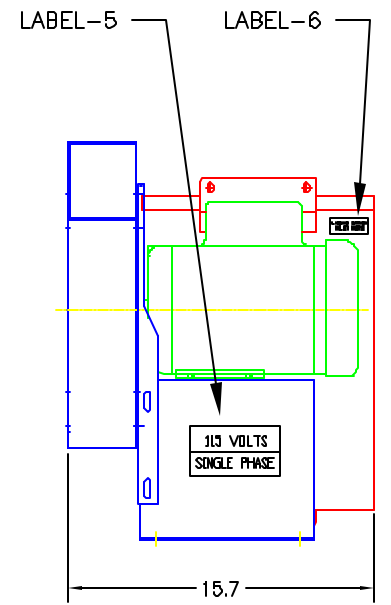
FRONT



R-SIDE VIEW



L-SIDE VIEW



BACK VIEW

LABEL-1
DANGER
HIGH VOLTAGE
SIZE: 4"x3"



LABEL-5A
115 VOLTS
SINGLE PHASE
SIZE: 4"x3"

LABEL-4
← ROTATION
SIZE: 4"x1"

- NOTES:
 1. LABEL-3A: **HAND-OFF-AUTO**, IF HAVING CYCLE TIMER CONTROL.
 2. LABEL-3B: **OFF-ON**, IF WITHOUT CYCLE TIMER.
 3. LABEL-5A, IF POWER IS 115V.
 4. LABEL-5B, IF POWER IS 220V.
 5. LABEL SIZES ARE APPROXIMATELY.

LABEL-2
DANGER
WATCH
YOUR HANDS
AND FINGERS
SIZE: 3.5"x5"

LABEL-5B
220 VOLTS
SINGLE PHASE
SIZE: 4"x3"

LABEL-3A LABEL-3B
 
 SIZE: 1.5"x1"

LABEL-6
LIQUID SIPHON
INLET HERE
SIZE: 2"x1"

UNLESS OTHERWISE SPECIFIED:
 DIMENSIONS ARE IN INCHES
 TOLERANCES
 FRACTIONS DECIMALS ANGULAR
 ± 1/16 ± .005 ± .01 ± 1°
 INTERPRET PER ASME Y14.5M
 DO NOT SCALE DRAWING IF NOT SPECIFIED

atomizing systems inc.
 1 Hollywood Avenue, Mo-Ho-Kus, NJ 07423, USA Phone: 201-447-1222

MATERIAL: FINISH: 125 ✓
 Copyright © 1998 Atomizing Systems Inc. All Rights Reserved. This document contains copyrighted material and confidential trade secret information belonging exclusively to Atomizing Systems, Inc. Unauthorized use, disclosure, dissemination or duplication of any of the information contained herein may result in liability under applicable laws.

TITLE: COLD FOG OC-15 FOG BLOWER LABELS		DATE: 03-25-99		DWG NO.: ASI-OC15-M1		REV. A
SCALE: NONE	FILE NAME: OC15	JOB NO.:	SHEET: 1	OF: 1		